

# LARA LED

# THORN<sub>eco</sub>

**EN** Installation instructions  
**DE** Montageanleitung  
**CZ** Montážní návod  
**DK** Monteringsvejledning  
**EE** Paigaldusjuhend  
**FI** Asennusohje  
**FR** Notice de montage  
**HU** Szerelési útmutat

**IT** Istruzioni di montaggio  
**LT** Montavimo instrukcijos  
**LV** Instalācijas instrukcija  
**NO** Monteringsanvisning  
**PL** Instrukcja montażu  
**SE** Installationsanvisning  
**RU** Инструкция по монтажу  
**CN** 安装说明书

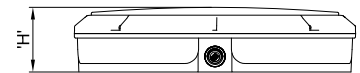
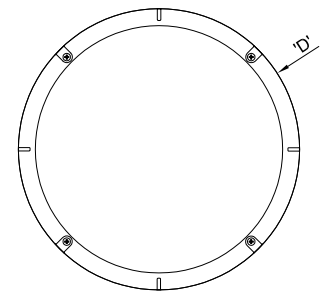


1. Installation and commissioning may only be carried out by authorized specialists and wired in accordance with the latest IEE electrical regulations or the national standard.
2. Mains power must be switched off before carrying out installation.
3. The manufacturer shall not be liable for any damage resulting from inappropriate modifications to the luminaire or faulty installation.
4. The light source contained in this luminaire shall only be replaced by the manufacturer or his service agent or a similar qualified person.
5. Caution, risk of electric shock.  
The control gear provides basic insulation between the LV supply and the control circuit.

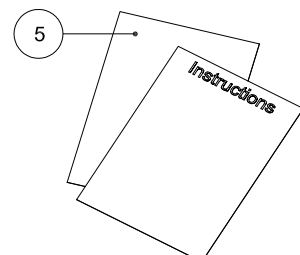
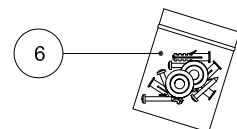
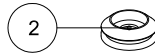
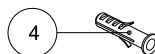
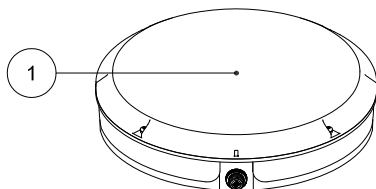
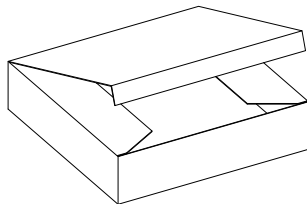
Product Description	Wattage	SAP Code	Height (H)	Diameter (D)
LARA LED 250 800 840 PC WH	10W	96666117	70	Ø250
LARA LED 250 800 840 PC BLK	10W	96666118	70	Ø250
LARA LED 300 1200 840 PC WH	13W	96666119	70	Ø300
LARA LED 300 1200 840 PC BLK	13W	96666120	70	Ø300

All dimensions in mm

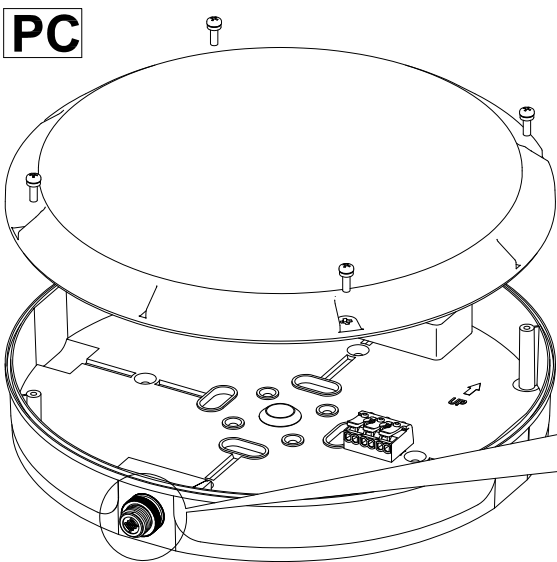
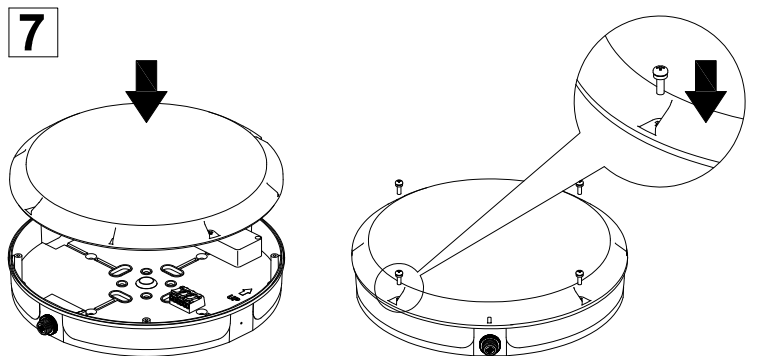
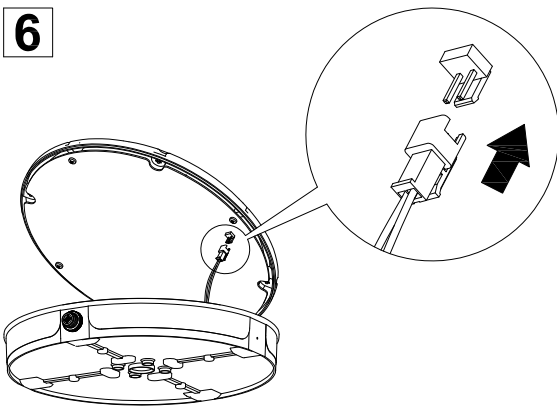
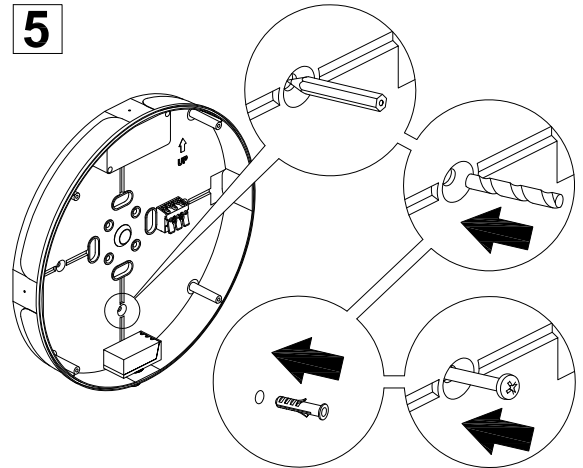
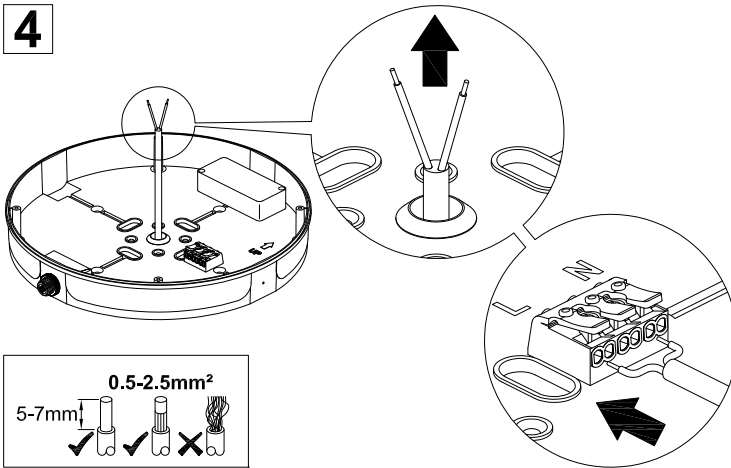
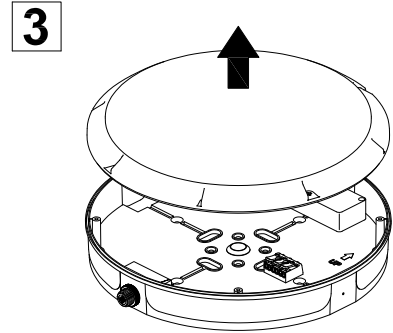
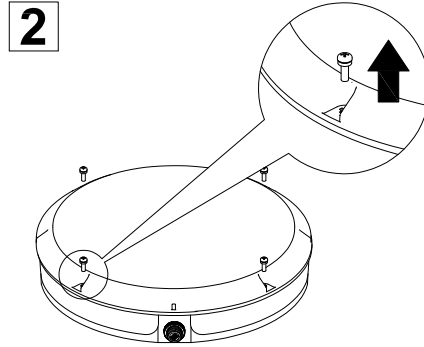
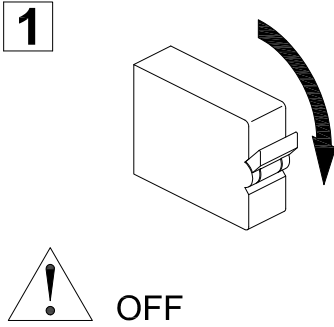
Optional trim accessory	SAP Code	Size (diameter)	Trim colour
LARA BEZEL TRIM SMALL 250 WH	96666121	Ø250	White
LARA BEZEL TRIM LARGE 300 WH	96666122	Ø300	White
LARA BEZEL TRIM SMALL 250 BLK	96666123	Ø250	Black
LARA BEZEL TRIM LARGE 300 BLK	96666124	Ø300	Black
LARA EYELID TRIM SMALL 250 BLK	96666125	Ø250	Black
LARA EYELID TRIM LARGE 300 BLK	96666126	Ø300	Black
LARA EYELID GRILLE TRIM SMALL 250 BLK	96666127	Ø250	Black
LARA EYELID GRILLE TRIM LARGE 300 BLK	96666128	Ø300	Black
LARA GRILLE TRIM SMALL 250 BLK	96666129	Ø250	Black
LARA GRILLE TRIM LARGE 300 BLK	96666130	Ø300	Black



1	x1
2	x2
3	Ø250x3 / Ø300x4
4	x4
5	x1
6	x1



# LARA LED



- The photocell will always power up in the 'ON' position, if in bright daylight it will switch off within 2 minutes, normal operation will then resume.
- To test for correct operation cover the photocell, after a short delay, 15-20 seconds, the photocell will operate and power will be applied to the load. If tested in bright daylight after a similar delay the photocell will turn off the power to the load when the packing box is removed.
- Do not install the photocell facing artificial or reflected light. This will cause the unit to cycle on & off at night.
- Operation level - 10~20lux On / 30~80lux Off.

