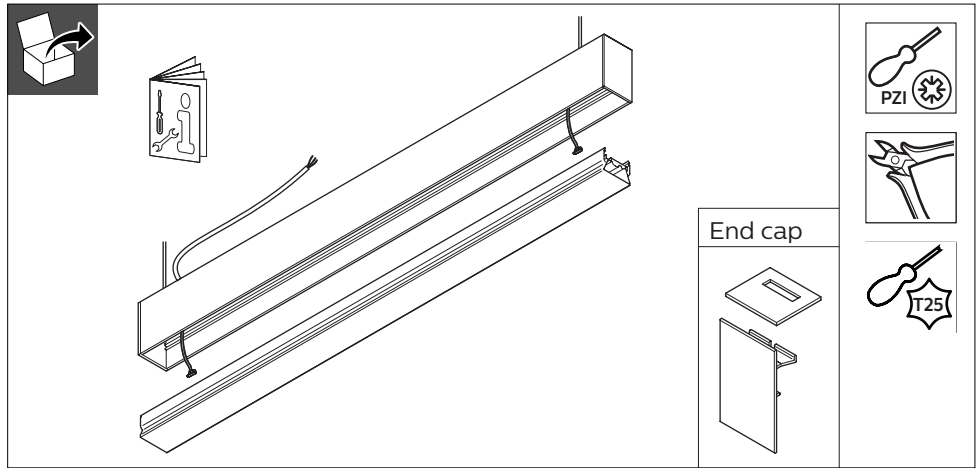


PHILIPS

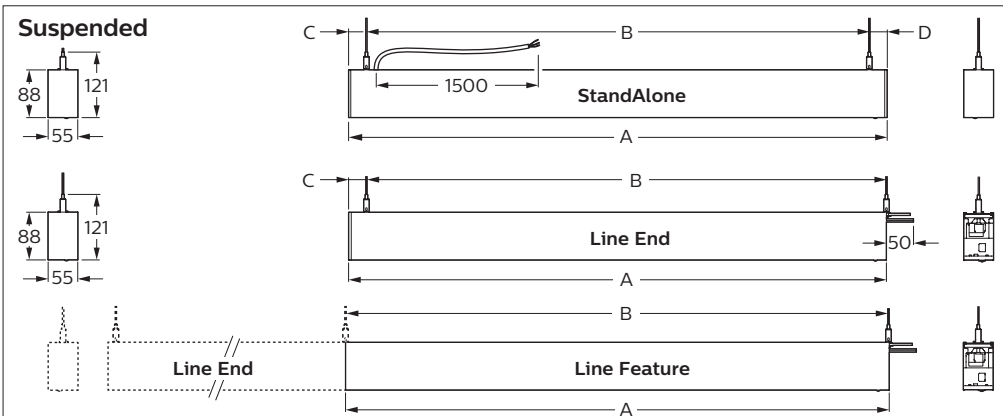
TrueLine

SP530P



		Dimensions in mm				Sensor/ Blind sensor holder.	kg
Suspended		A	B	C	D		
Standalone	L1130	1130	1064				3.2
	L1170	1170	1104			•	3.4
	L1410	1409	1344	33	33		3.8
	L1450	1449	1384			•	4.1
Line End	L1130	1128	1095				3.2
	L1170	1168	1135			•	3.4
	L1410	1408	1375	33	0		3.8
	L1450	1448	1415			•	4.1
Line Feature	L1130	1127	1127				3.2
	L1170	1167	1167			•	3.4
	L1410	1406	1406	0	0		3.8
	L1450	1446	1446			•	4.1

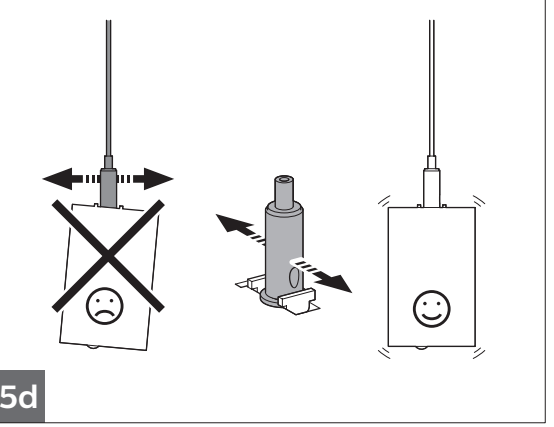
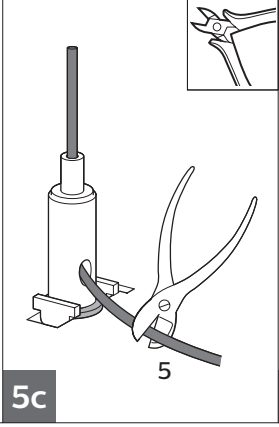
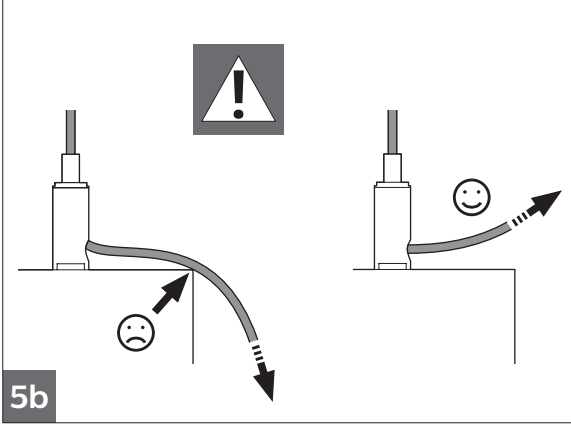
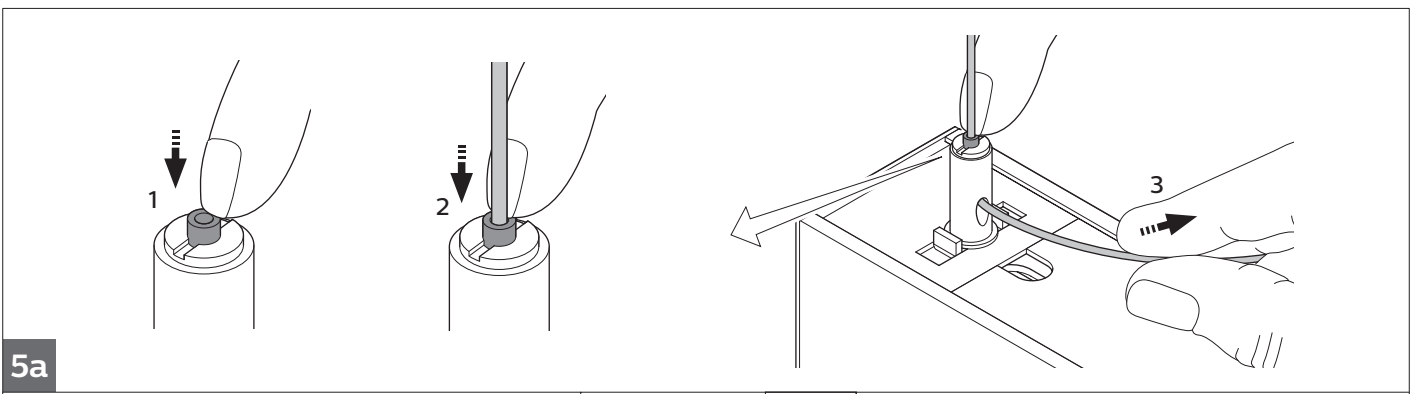
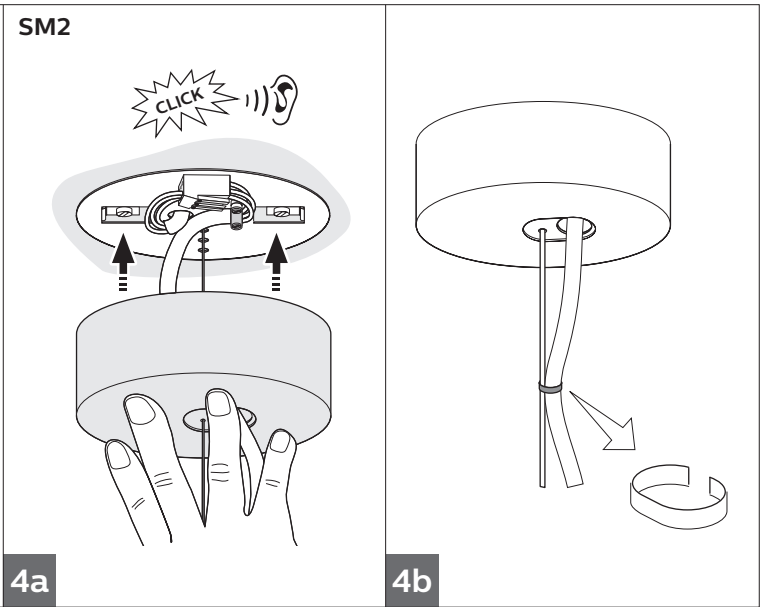
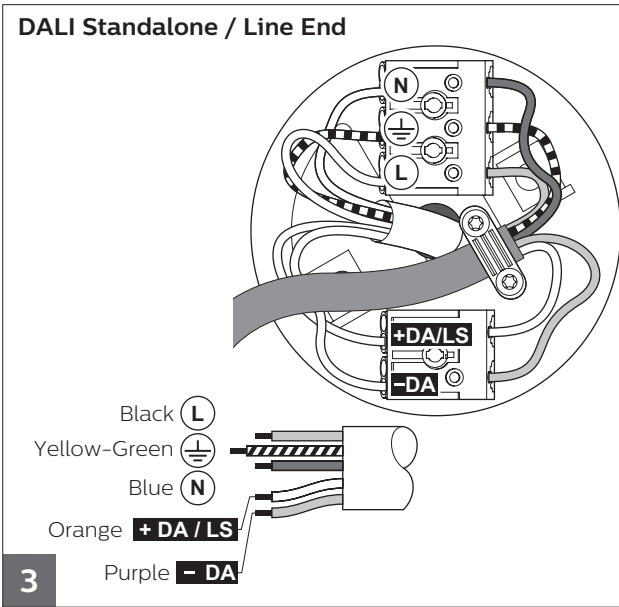
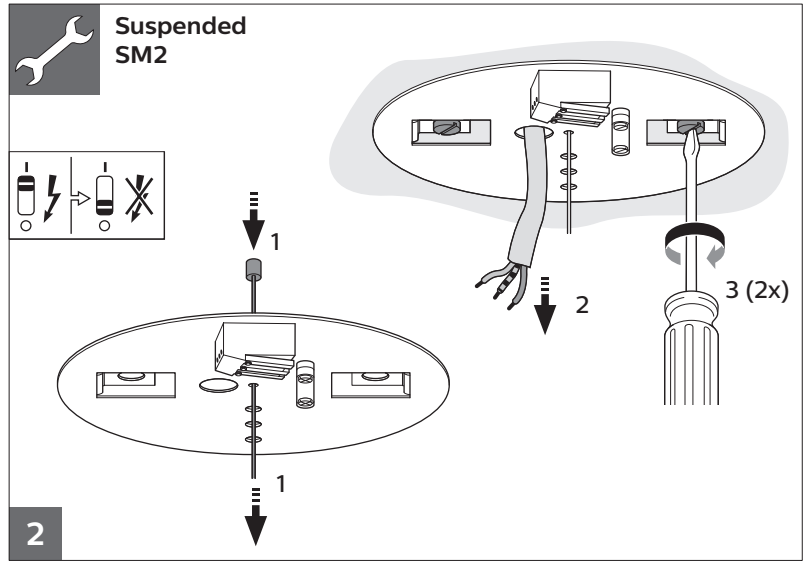
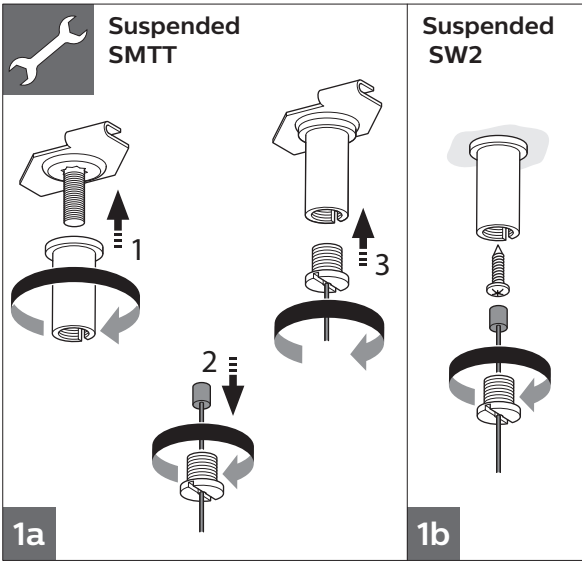
Suspension set contents								
					2x cable	3x		
SM2	SP530P BV/LE	•	•	•	•	•		
	SP530P LF			•	•		•	
SMTT	SP530P BV/LE			2x	•	•		2x
	SP530P LF			•	•		•	•
SW2	SP530P BV/LE			2x	•			
	SP530P LF			•	•		•	

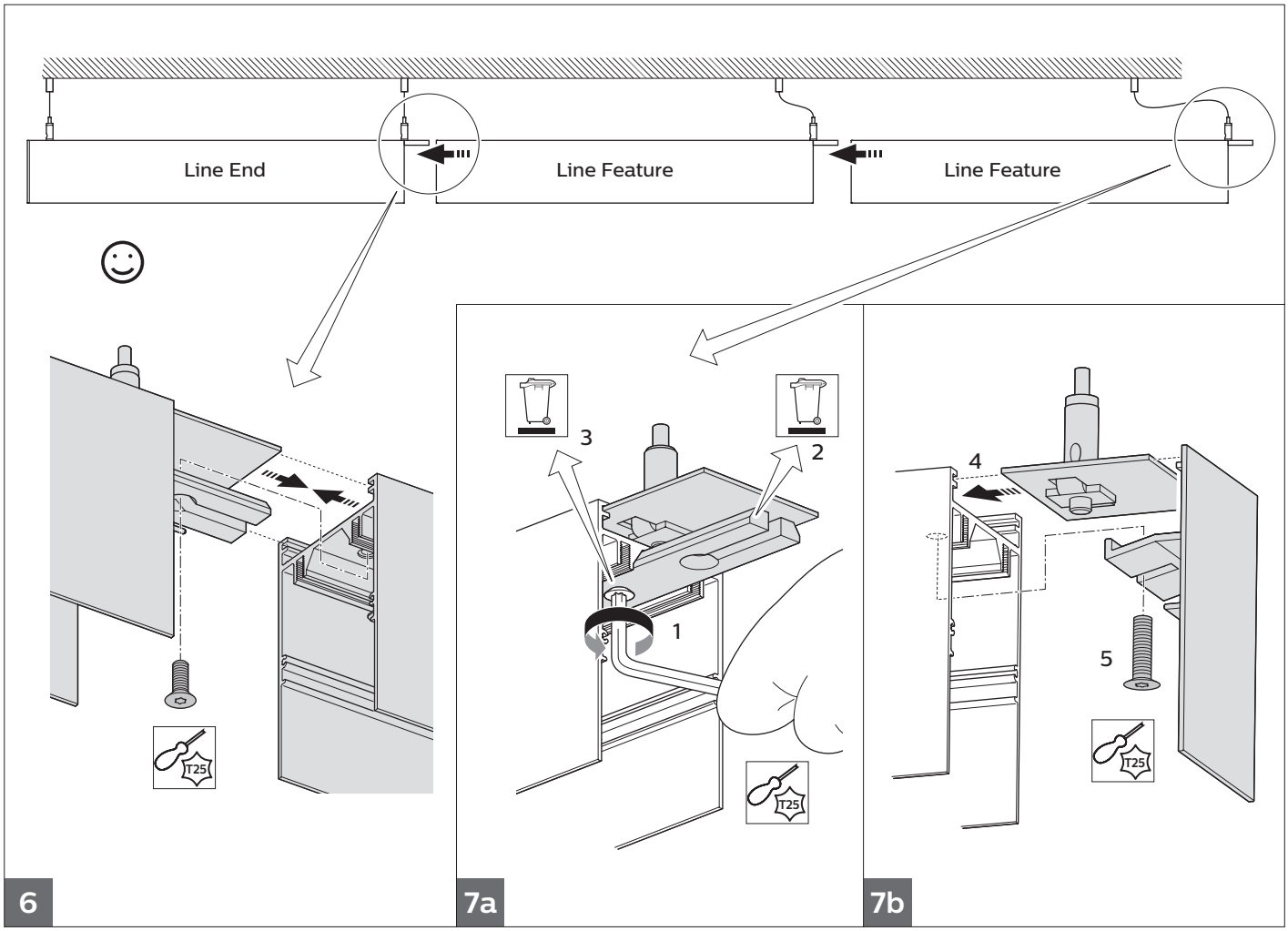
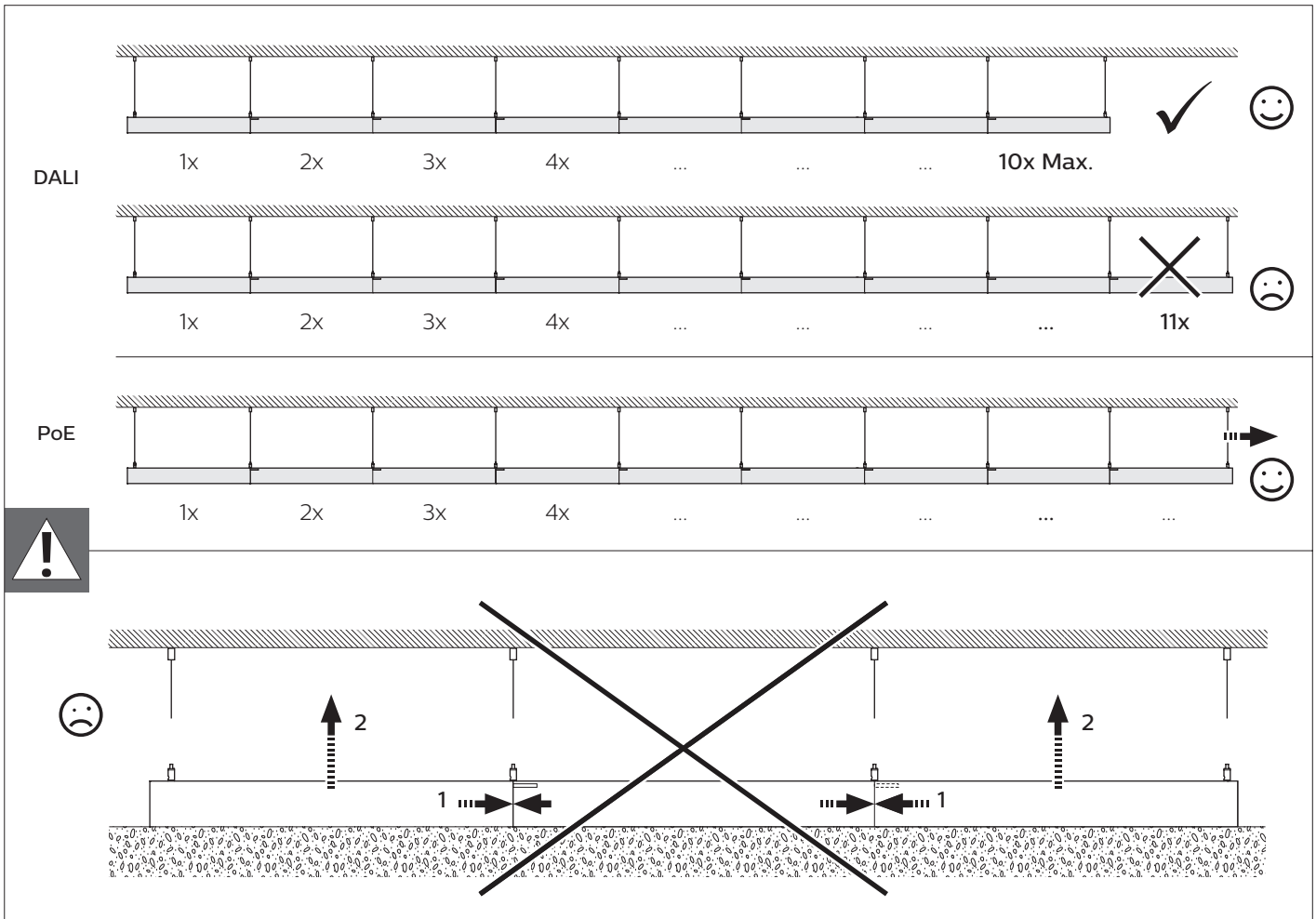


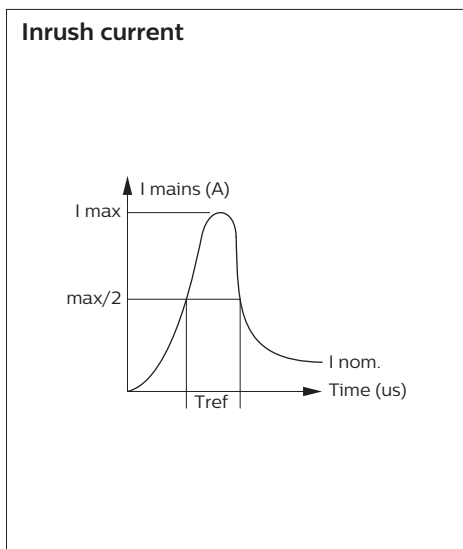
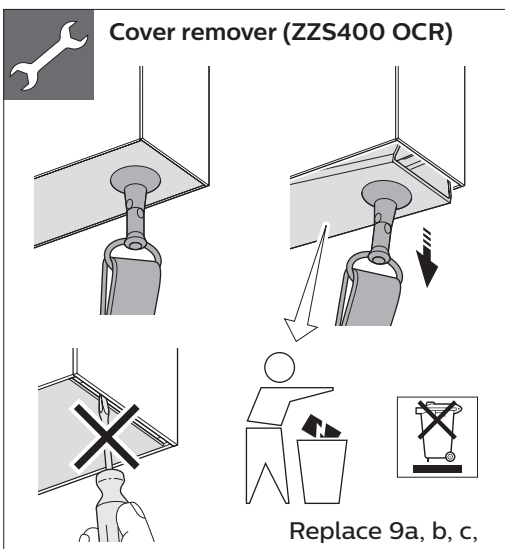
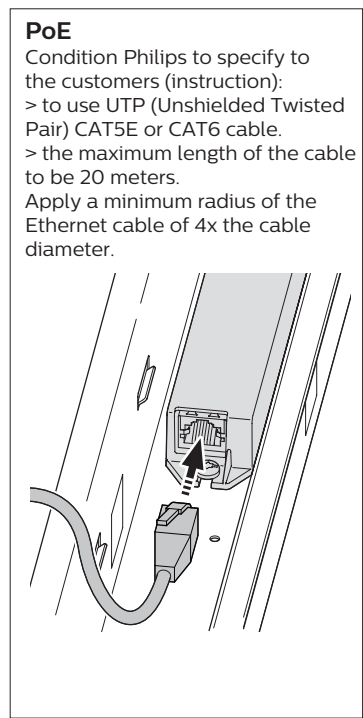
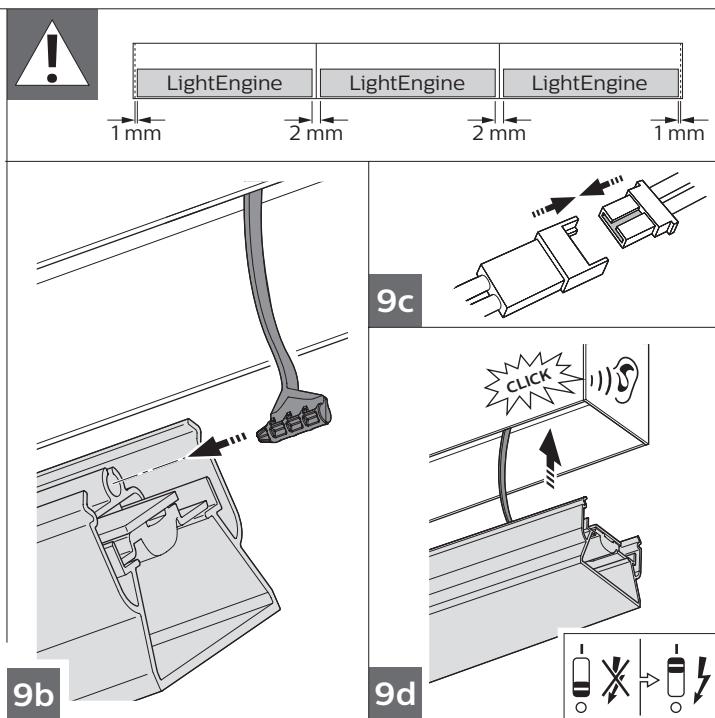
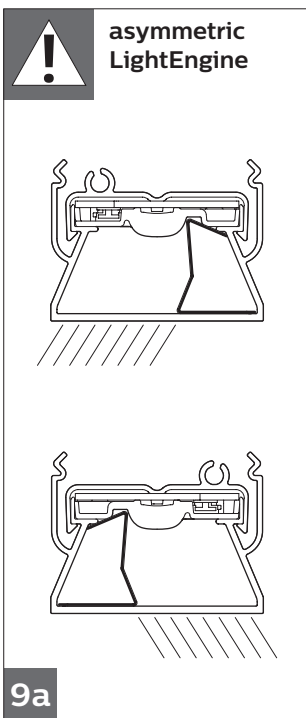
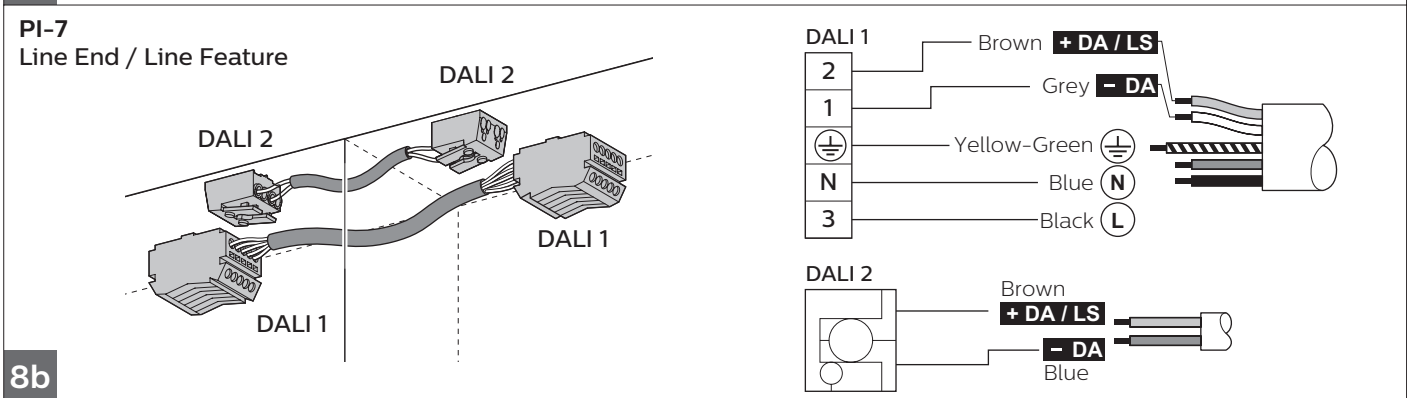
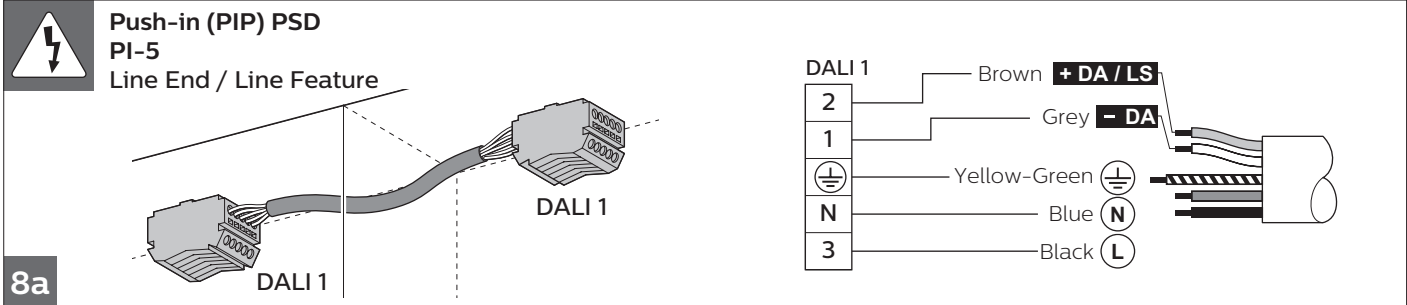
ACL / MDU
versions only

6mm

ATTENTION
OBSERVE PRECAUTIONS
FOR HANDLING
ELECTROSTATIC
SENSITIVE
DEVICES







I _{max} (A)	19
T _{ref} (μs)	280
Condition: Input voltage 220V	
MCB	Luminaires Max.
B-10A	15
B-13A	19
B-16A	24
B-20A	30
B-25A	37
C-10A	24
C-13A	32
C-16A	40
C-20A	49
C-25A	62