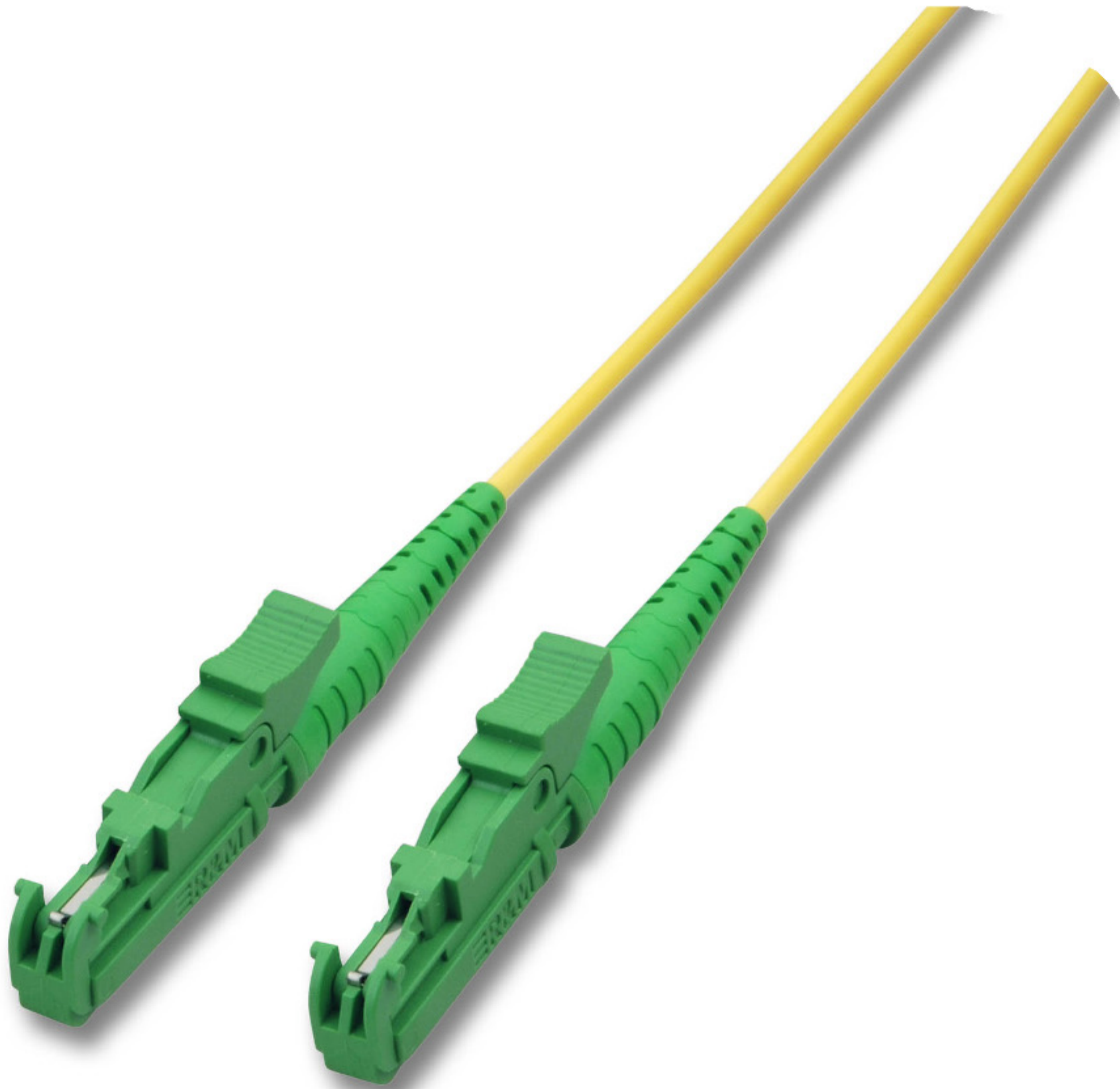


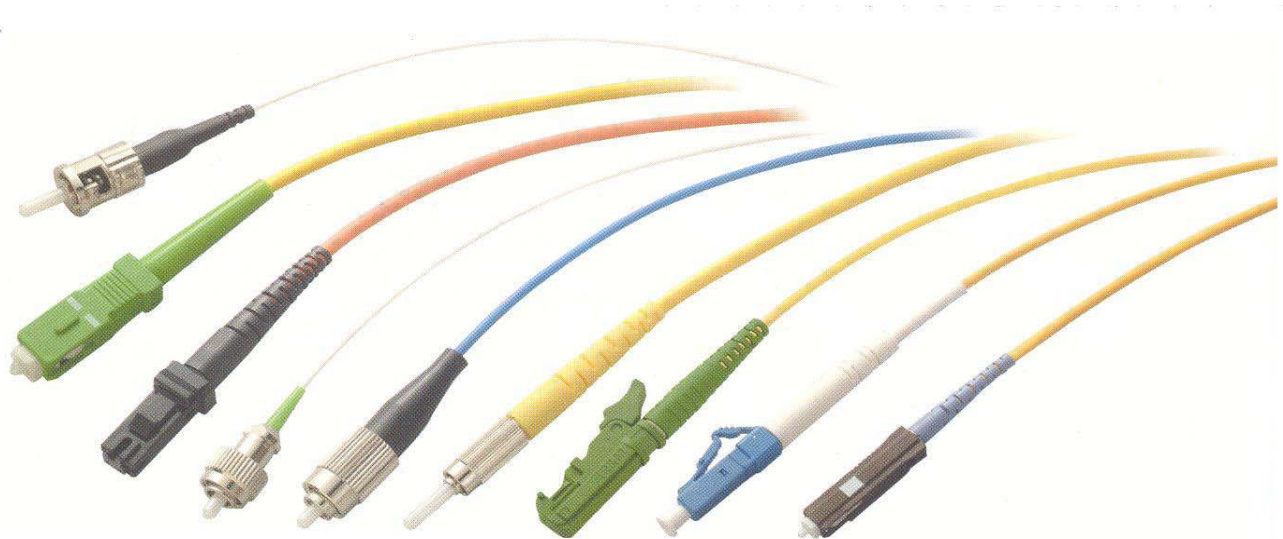
# **E2000<sup>®</sup> / APC**

## **Simplex Jumper**



**Artikel: O0833.x**  
**Stecker: E2000<sup>®</sup> HRL grün**  
**Ferrule: APC 8°**  
**Kabel: I-VH 1E9/125µm gelb**  
**Klasse: OS1 G.652D**

# Singlemode Assemblies



- Length Tolerance per termination - 0/+10 : < 10 m.  
+ 2% : > 10 m.
- Insertion Loss      Typical      : 0.20 dB  
                                 Maximum : 0.35 dB
- Return Loss      Typical PC              : < - 35 dB  
                                 Typical SPC             : < - 40 dB  
                                 Typical UPC             : < - 50 dB  
                                 Typical UPC premium : < - 55 dB  
                                 Typical APC             : < - 60 dB  
                                 Typical APC premium : < - 65 dB
- 9/125 Cables available:
  - Simplex 3 mm LSZH yellow or blue, internal buffer 900 µm tight
  - Simplex 2 mm LSZH yellow or blue, internal buffer 900 µm tight
  - Duplex 2x4 mm LSZH yellow or blue, internal buffer 900 µm tight
  - Minizip 1,6x3,2 mm LSZH yellow or blue, internal buffer 600 µm tight
  - 900 µm semi-tight buffer yellow.
- Connectors available:
  - ST, SC, FC, DIN, LC, MU, MTRJ, E2000
- Packaging:
  - Pigtailed 900 µm: transparent plastic bag
  - Patchcords in blister; long lengths in transparent plastic bag

# LSH Technical Data Sheet



030.0644.1



030.0643



## 1. LSH and LSH-APC 8° Plug

### 1.1 Optical Performance

Description	Requirement	According to	Result LSH	LSH-APC 8°
Insertion loss (IL) [dB]	< 0.4 dB against reference connector	IEC/EN 61300-3 -4	≤ 0.4 / typ: 0.2	≤ 0.4 / typ: 0.2
Return loss (RL) [dB]	>26dB MM, >35dB SM, >55dB APC	IEC/EN 61300-3 -6	≥ 40	≥ 70

### 1.2 Mechanical Performance

Mating Durability	1000 cycles	IEC/EN 61300-2 -2	passed	passed
Strength of Coupling Mechanism	70 N	IEC/EN 61300-2 -6	passed	passed

### 1.3 Environmental Performance

Cold	-25°C for 96 h -10°C for 96 h	EN 61300-2 -17 IEC 61300-2 -17	passed passed	passed passed
High Temperature	+ 70°C for 96 h + 60°C for 96 h	EN 61300-2 -18 IEC 61300-2 -18	passed passed	passed passed
Change of Temperature	- 25°C / + 70°C; 20 cycles - 10°C / + 60°C; 5 cycles	EN 61300-2 -22 IEC 61300-2 -22	passed passed	passed passed

### 1.4 Ageing Performance

High Temperature Endurance	+ 70°C for 1000 h	EN 61300-2 -18	passed	passed
Damp Heat	+ 40°C at 93% r.F. for 21 Days + 40°C at 93% r.F. for 96 h	EN 61300-2 -19 IEC 61300-2 -19	passed passed	passed passed

## About this technical data sheet

The greatest possible care has been taken in preparing this document, which represents the current technological situation at the time of its printing. Any revisions and/or corrections to this document will be incorporated into the next new edition. Subject to technical changes.

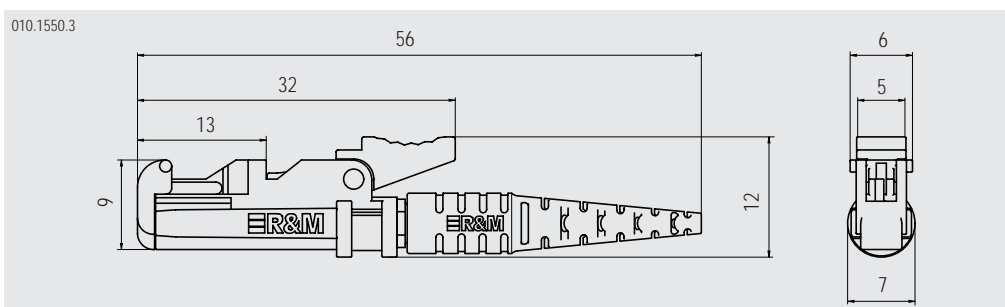
Printed in Switzerland – © Reichle & De-Massari AG  
All rights reserved  
LSH: manufactured in licence of Diamond SA, CH-6616 Losone

1.5 Material

Part	Material	Colour (RAL)	
		LSH	LSH-APC 8°
Ferrule	Zirconia Ceramic		
Housing	PBT / UL94 V-0	blue (5015)	green (6018)
Dust Cover	PBT / UL94 V-0	blue (5015)	green (6018)
Boot	TPE / UL94 V-0	blue (5015)	green (6018)

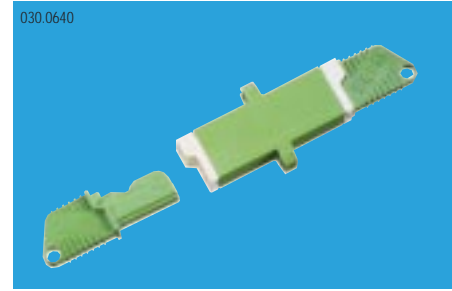
Dimensions

(According to CECC 86 275-801)





030.0640



## 2. LSH Adaptor

### 2.1 Optical Performance

Description	Requirement	According to	Result
Insertion loss (IL) [dB]	≤ 0.2 dB	IEC/EN 61300-3 -4	passed

### 2.2 Mechanical Performance

Mating Durability	1000 cycles	IEC/EN 61300-2 -2	passed
Strength of Coupling Mechanism	70 N	IEC/EN 61300-2 -6	passed

### 2.3 Environmental Performance

Cold	-25°C for 96 h -10°C for 96 h	EN 61300-2 -17 IEC 61300-2 -17	passed passed
High Temperature	+ 70°C for 96 h + 60°C for 96 h	EN 61300-2 -18 IEC 61300-2 -18	passed passed
Change of Temperature	- 25°C / + 70°C; 20 cycles - 10°C / + 60°C; 5 cycles	EN 61300-2 -22 IEC 61300-2 -22	passed passed

### 2.4 Ageing Performance

High Temperature Endurance	+ 70°C for 1000 h	EN 61300-2 -18	passed
Damp Heat	+ 40°C at 93% r.F. for 21 Days + 40°C at 93% r.F. for 96 h	EN 61300-2 -19 IEC 61300-2 -19	passed passed

### 2.5 Material

Part	Material	Colour (RAL)	
		LSH	LSH-APC 8°
Sleeve	Zirconia Ceramic		
Housing	PBT / UL94 V-0	blue (5015)	green (6018)
Dust Cover	PBT / UL94 V-0	blue (5015)	green (6018)

## Dimensions

(According to CECC 86 275-801)

